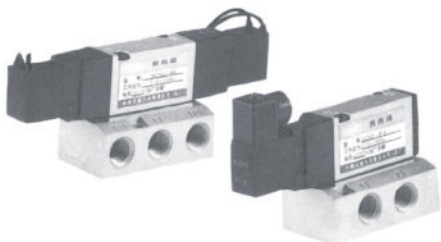


3K

3KD-B

系列 不供油滑柱式电气换向阀 Series Oil Free Pneumatic / Electrical Directional Spool Valve

3KD-B 系列板接式电控换向阀 Series Plate Fitting Solenoid Vales

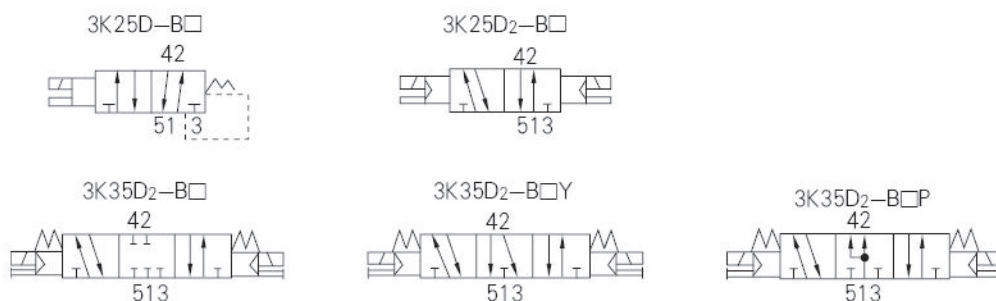


全系列共分四种规格，口径分别Ø4, Ø6, Ø8, Ø10，适应配套气缸缸径如下：

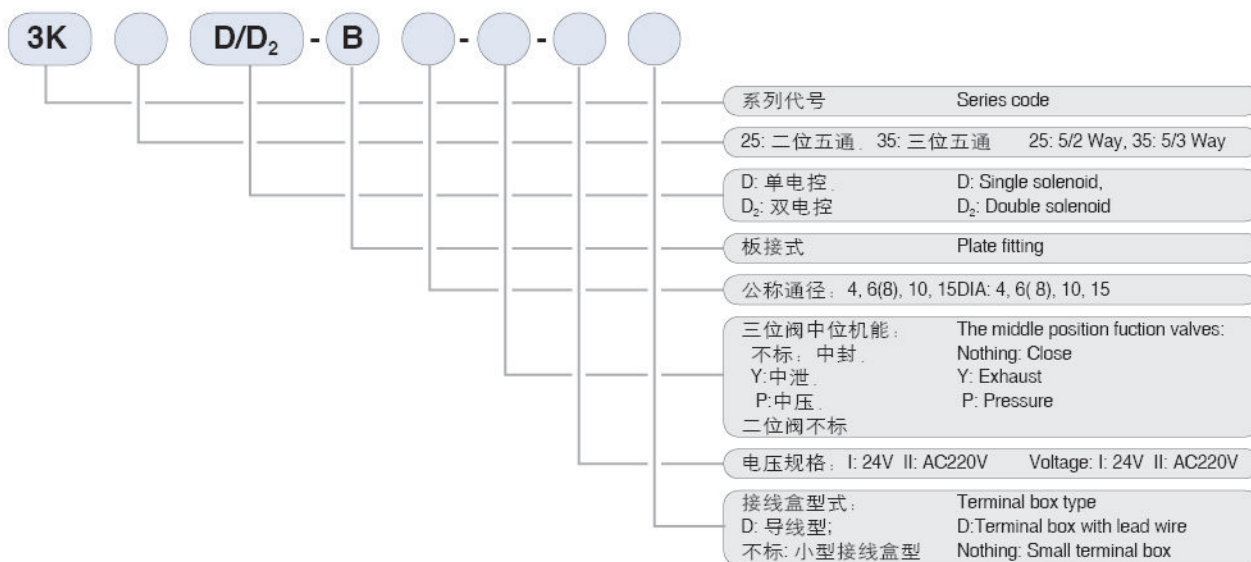
Four type in this series. There are Ø4, Ø6, Ø8, Ø10, capable of driving cylinders as follow:

口径Dia(mm)	气缸缸径 bore (mm)
Ø4	Ø20 Ø25 Ø32 Ø40
Ø6	Ø40 Ø50 Ø63 Ø80
Ø8	Ø63 Ø80 Ø100
Ø10/Ø15	Ø125 Ø140 Ø160

图形符号 Graphical symbols



型号注释 Note for type



技术参数 Specification

品种 Type	型号 Pattern	配管口径 Pipe Size	有效截面积 Effective sectional Area (mm ²)	换向时间 Activating Time (sec)	消耗功率 Consumption Power (W)	线圈温升 (E级) Coil Temperature (°C)
单电控 Single Solenoid	3K25D-B4	Rc1/8	>4.5	<25	<2	36
	3K25D-B6(8)	Rc1/8(Rc1/4)	14	<40	<3	36
	3K25D-B10	Rc3/8	28	<36	<3	36
	3K25D-B15	Rc1/2	60	<55	<3	37
双电控 Double Solenoid	3K25D ₂ -B4	Rc1/8	>4.5	<25	<2	36
	3K25D ₂ -B6(8)	Rc1/8(Rc1/4)	14	<40	<3	36
	3K25D ₂ -B10	Rc3/8	28	<36	<3	36
	3K25D ₂ -B15	Rc1/2	60	<55	<3	37
三位阀中封式 3 positions with middle closed	3K35D ₂ -B4	Rc1/8	>3	<60	<2	36
	3K35D ₂ -B6(8)	Rc1/8(Rc1/4)	12	<60	<3	36
	3K35D ₂ -B10	Rc3/8	>27	<60	<3	36
	3K35D ₂ -B15	Rc1/2	>57	<65	<3	37
三位阀中压式 3 positions with middle pressure	3K35D ₂ -B4P	Rc1/8	>3	<60	<2	36
	3K35D ₂ -B6(8)P	Rc1/8(Rc1/4)	12	<60	<3	36
	3K35D ₂ -B10P	Rc3/8	>27	<60	<3	36
	3K35D ₂ -B15P	Rc1/2	>57	<65	<3	37
三位阀中泄式 3 positions with middle exhaust	3K35D ₂ -B4Y	Rc1/8	>3	<60	<2	36
	3K35D ₂ -B6(8)Y	Rc1/8(Rc1/4)	12	<60	<3	36
	3K35D ₂ -B10Y	Rc3/8	>27	<60	<3	36
	3K35D ₂ -B15Y	Rc1/2	>57	<65	<3	37

其他参数 Specification

使用流体 Medium	压缩空气 Compress Air
控制方式 Operation	先导式 Pilot-kick
工作压力 Working Pressure Range(MPa)	0.15 ~ 1
允许耐压 Max. Pressure Resistance(MPa)	1.5
环境温度 Surrounding temperature	-5 ~ 40
介质温度 Media temperature	-5 ~ 50
润滑条件 Lubrication	不供油 Non-oil Lubrication
额定电压 Voltage	DC24V 或(or) AC220V

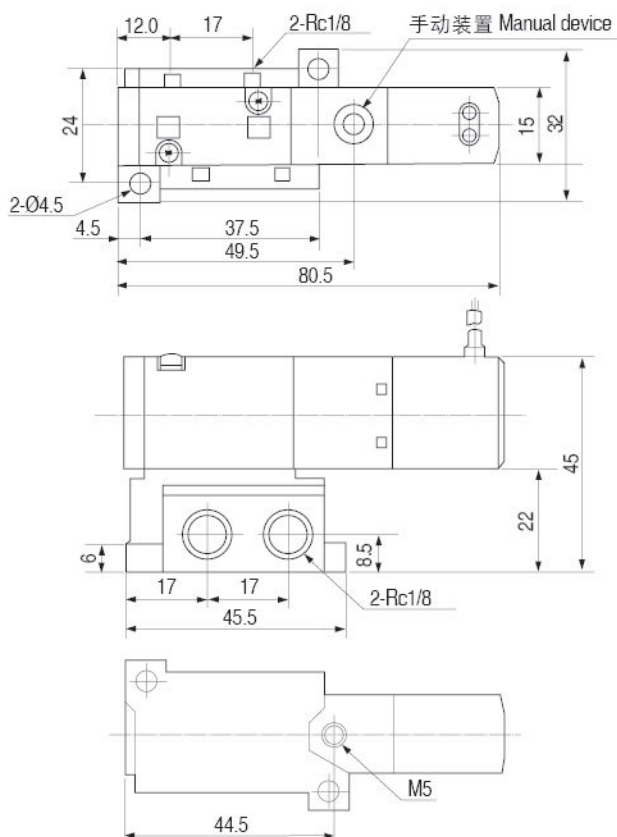
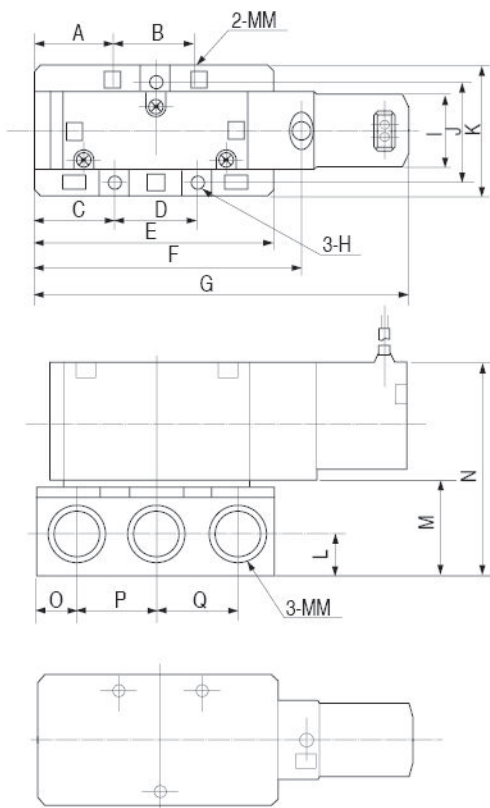
外形尺寸 Outlook & Dimension

二位五通单电控板接式电磁阀 5/2 Plate Fitting Single Solenoid Valve

(a) 导线型 / Lead Wire

3K25D-B4外形安装图

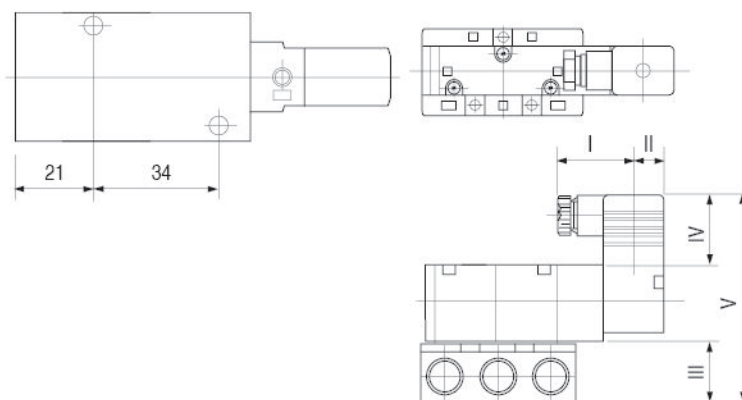
3K25D-B4 Outlook For Install



尺寸Size 型号Type	A	B	C	D	E	F	G	H	I	J	K	L	M	N	O	P	Q	MM
3K25D-B4	见上图Drawing above																	
3K25D-B6(8)	21	22	21	34	64	72	102	Ø4.3	18	27	34	11	26	54	10	22	22	Rc1/8 Rc1/4
3K25D-B10	23.5	27	24	26	74	83	117	Ø4.3	23	32	40	13.5	30	66	11.5	25.5	25.5	Rc3/8
3K25D-B15	31	32	31	32	94	106	140	Ø5.3	29	42	52	16	37	80	15	32	32	Rc1/2

注: 3K25D-B6(8)Ø4.3安装孔二个中心距见附图
Note: 3K25D-B6(8)Ø4.3 the distance of the two hole, please view the drawing.

(b) 小型接线盒型 / Small Terminal Box



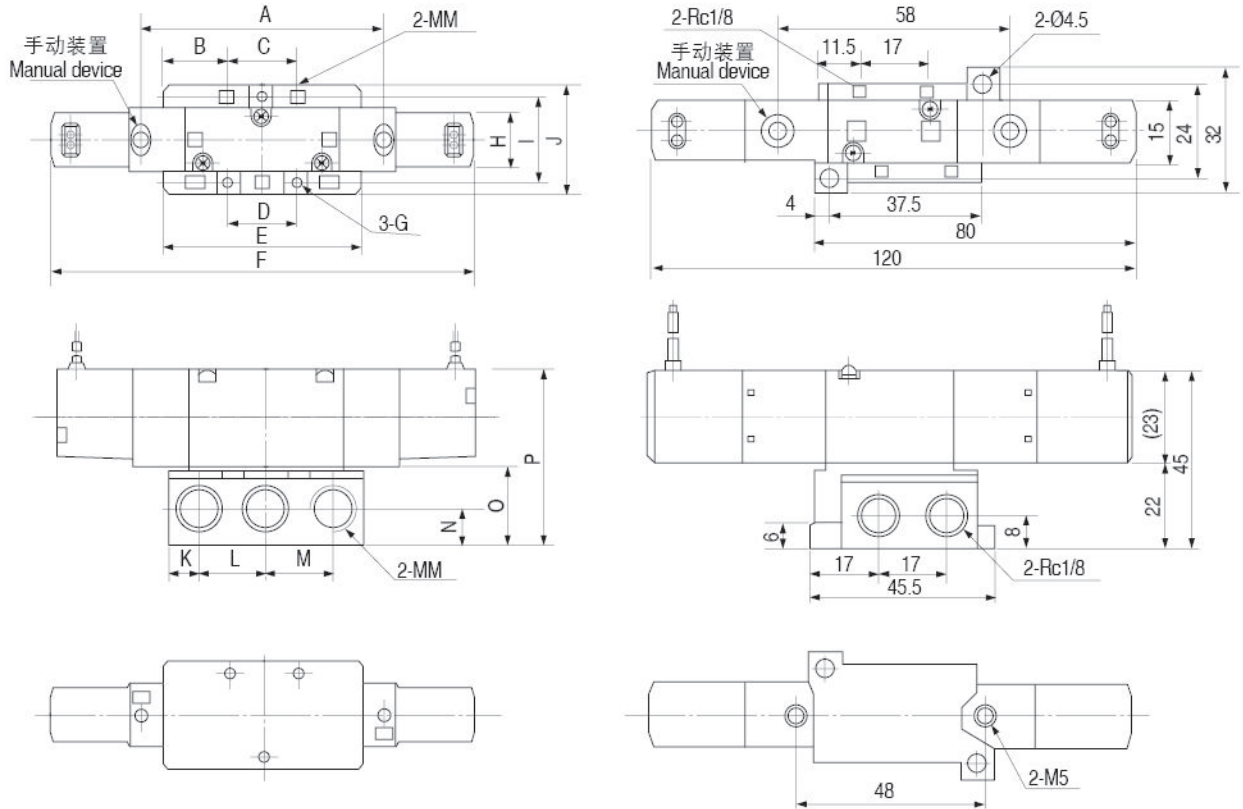
尺寸Size 型号Type	I	II	III	IV	V
3K24D-B4	21.5	7.5	22	18.5	63.5
3K25D-B6(8)	21.5	7.5	26	18.5	72.5
3K25D-B10	36.5	14.5	30	34	100
3K25D-B15	36.5	14.5	37	34	111

外形尺寸 Outlook & Dimension

二位五通双电控板接式电磁阀 5/2 Plate Fitting Double Solenoid Valves

(a) 导线型 / Lead Wire

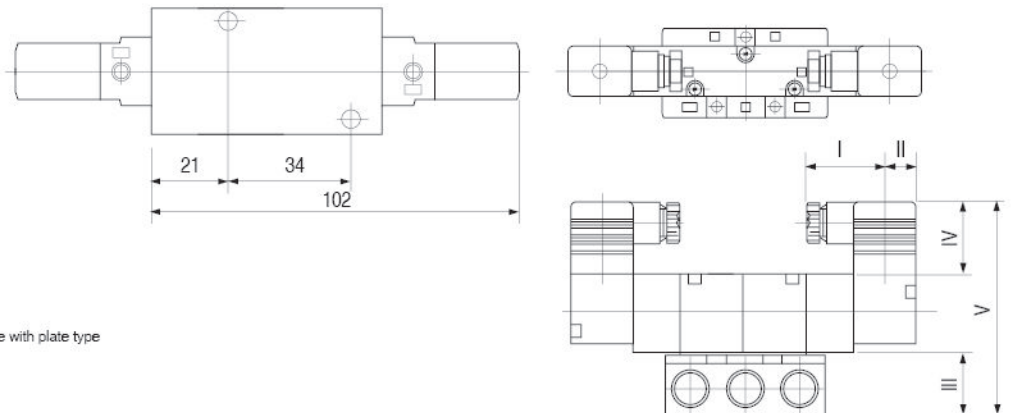
3K25D₂-B4外形安装尺寸图
3K25D₂-B4 Outlook For Install



尺寸Size	A	B	C	D	E	F	G	H	I	J	K	L	M	N	O	P	MM
型号Type																	
3K25D ₂ -B4	见上图Drawing above																
3K25D ₂ -B6(8)	80	21	22	34	64	144	Ø4.3	18	27	34	10	22	22	11.5	26	54	Rc1/8 Rc1/4
3K25D ₂ -B10	92	23.5	27	26	74	160	Ø4.3	23	32	40	11.5	25.5	25.5	13.5	30	66	Rc3/8
3K25D ₂ -B15	118	31	32	32	94	186	Ø5.3	29	42	52	15	32	32	16	37	80	Rc1/2

注：3K35D-B6(8)Ø4.3安装孔二个中心距见附图
Note: 3K35D-B6(8)Ø4.3 the distance of the two hole, please view the drawing.

(b) 小型接线盒型 / Small Terminal Box



注：外形尺寸参照单电控板式系列
Dimension same as single solenoid valve with plate type

3K

3KD-B

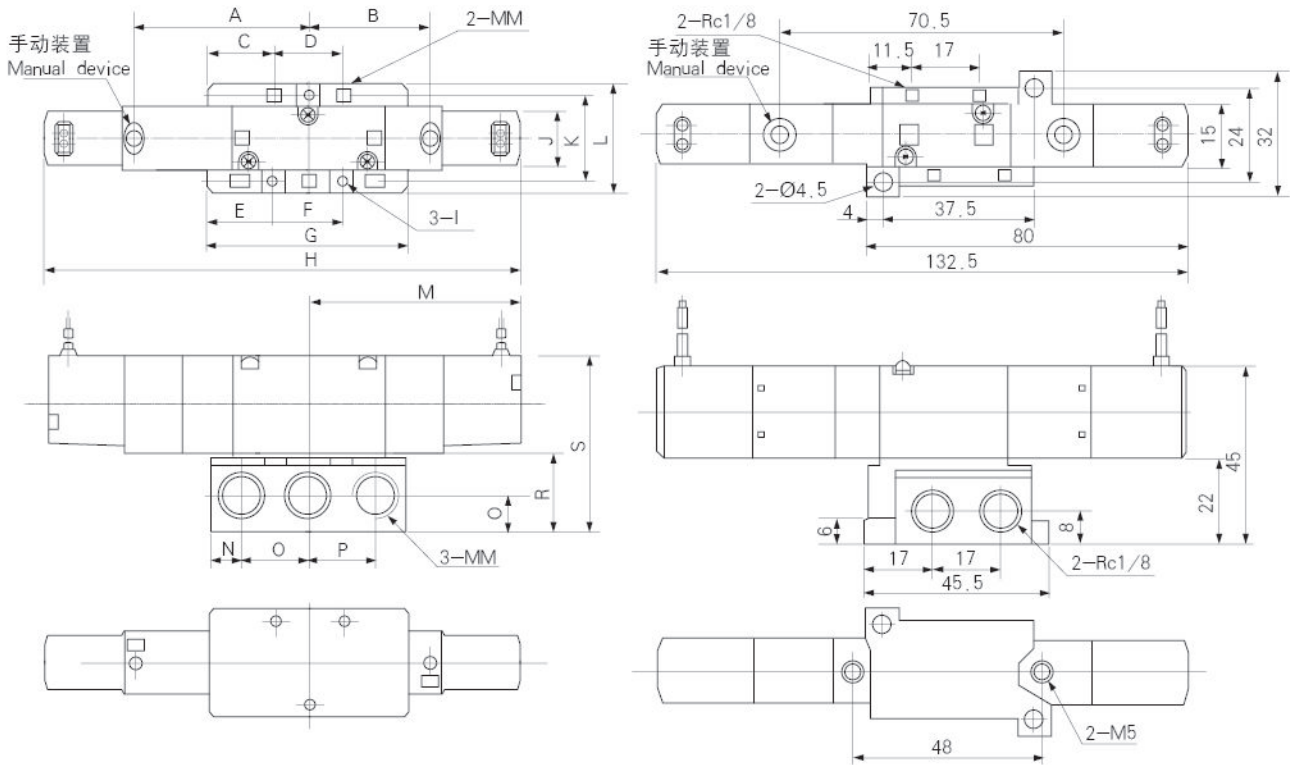
系列 不供油滑柱式电气换向阀 Series Oil Free Pneumatic / Electrical Directional Spool Valve

外形尺寸 Outlook & Dimension

三位五通双电控板接式电磁阀 5/3 Plate Fitting Double Solenoid Valve

(a) 导线型 / Lead Wire

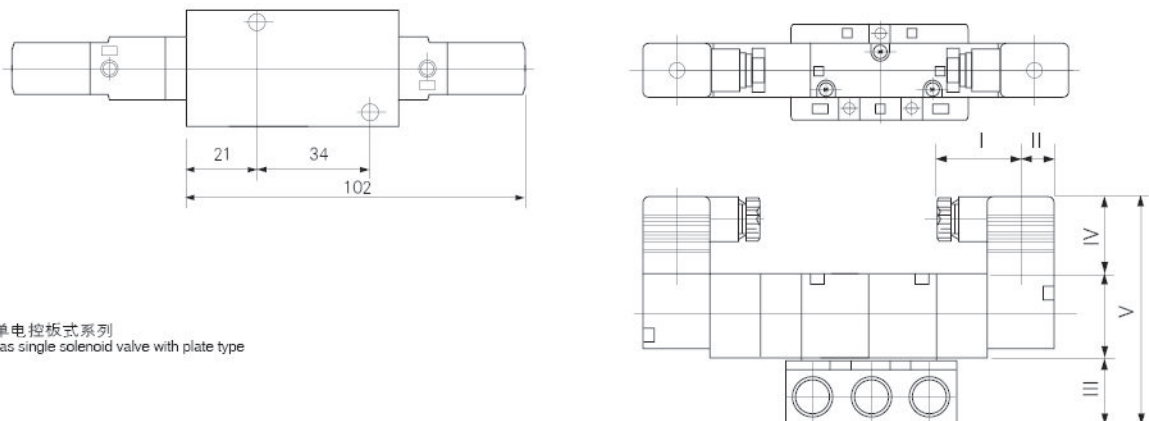
3K35D₂-B4外形安装尺寸图
3K35D₂-B4 Outlook For Install



尺寸Size	A	B	C	D	E	F	G	H	I	J	K	L	M	N	O	P	Q	R	S	MM
型号Type																				
3K35D ₂ -B4	见上图Drawing above																			
3K35D ₂ -B6(B)	54.5	40	21	22	21	34	64	154.5	Ø4.3	18	27	34	70	10	22	22	11.5	26	54	Rc1/8 Rc1/4
3K35D ₂ -B10	65	46	23.5	27	24	26	74	179	Ø4.3	23	32	40	80	11.5	25.5	25.5	13.5	30	66	Rc3/8
3K35D ₂ -B15	99	43	31	32	31	32	94	210	Ø5.3	29	42	54	93	15	32	32	16	37	80	Rc1/2

注: 3K35D₂-B6(B)Ø4.3安装孔二个中心距见附图
Note: 3K35D₂-B6(B)Ø4.3 the distance of the two hole, please view the drawing.

(b) 小型接线盒型 / Small Terminal Box



注: 外形尺寸参照单电控板接式系列
Dimension same as single solenoid valve with plate type